

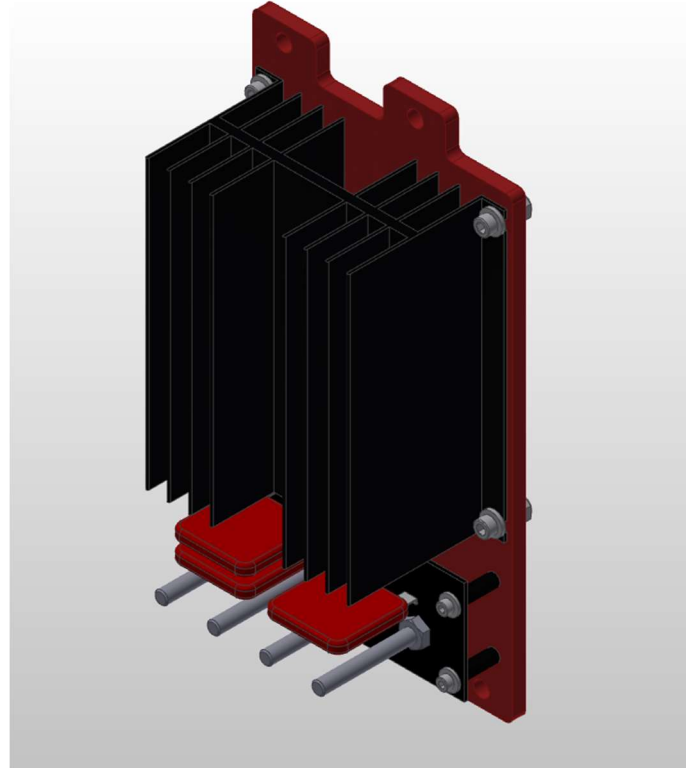
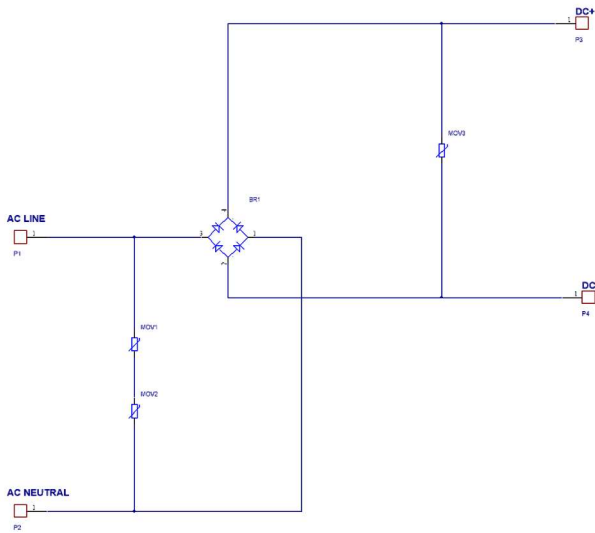
FEATURES

- **Extended Temperature Range**
- **Integral surge protection**
- **AAR Binding Post Wire Connections**

DESCRIPTION

The Trilogy Products SWR001 a rectifier module rated for 130Vrms input and 175VDC output max. The module can supply up to 40A output current at rated voltage, and features integral input and output voltage transient protection at 205V. The module can provide up to 40A output current at a 50% duty cycle, or 20A continuous current. It is packaged in a B2 mounting plate form factor and occupies only a 9.5" x 5" x 3" envelope.

SCHEMATIC DIAGRAM



ELECTRICAL SPECIFICATIONS

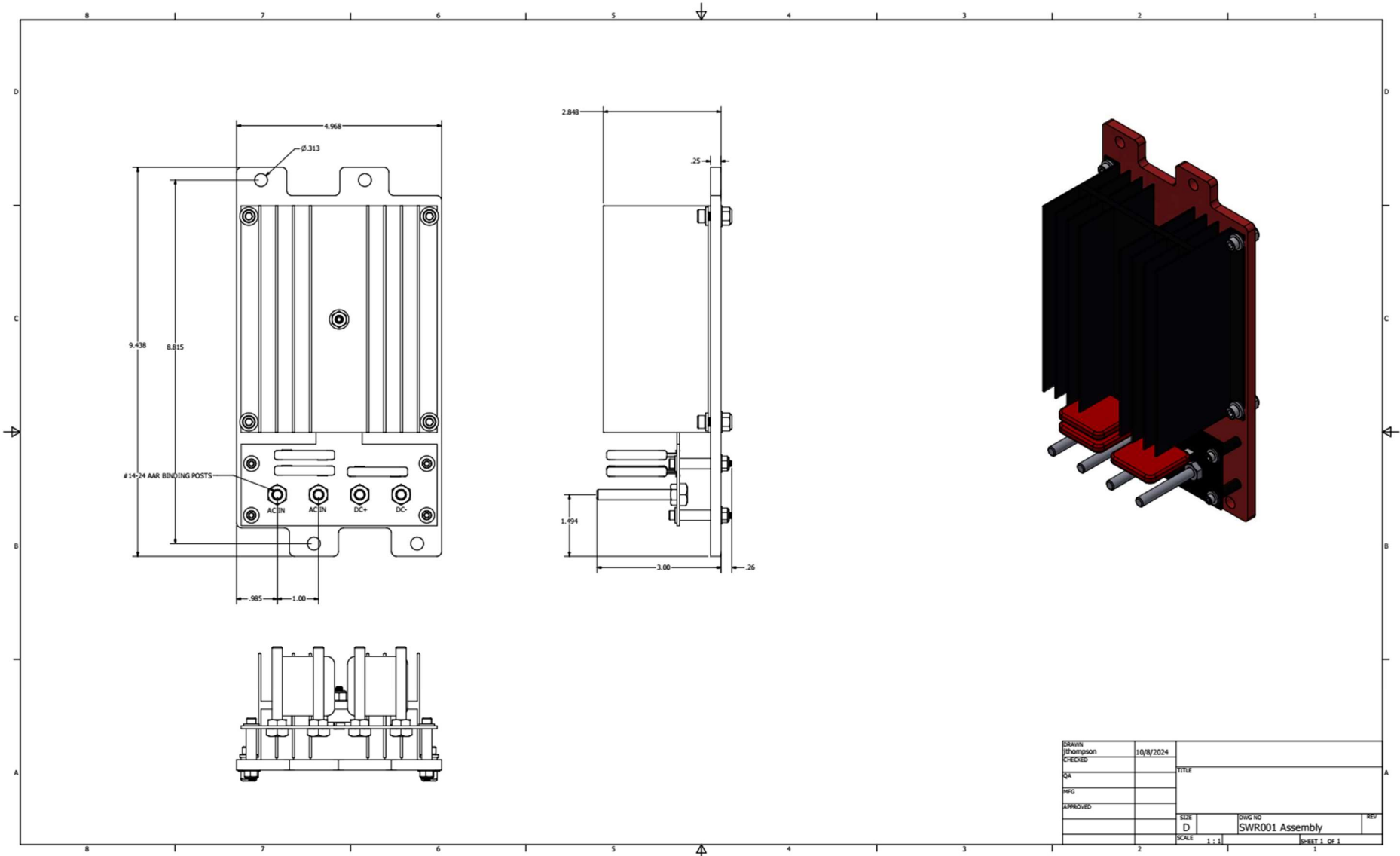
AC Input Voltage (max)	_____	130V _{RMS}
DC Output Voltage (peak) @ 130VAC	_____	175V _{DC}
AC Input Frequency	_____	50-60Hz
DC Output Current @ 70 °C	_____	40A (peak)
Min Operating Temperature	_____	-30 °C
Max Operating Temperature	_____	+70 °C

MECHANICAL SPECIFICATIONS

Height	_____	9.5in
Width	_____	5in
Depth	_____	3in

ORDERING INFORMATION

130V 40A Rectifier Module	_____	SWR001
---------------------------	-------	--------



DESIGN	10/8/2024		
CHECKED		TITLE	
QA			
FIG			
APPROVED			
	SIZE	DWG NO	REV
	D	SWR001 Assembly	
	SCALE	1:1	SHEET 1 OF 1